

SIMPLEX VO 0040-0080 B

Vacuum System



Efficient

Low energy consumption due to energy-saving control, oil-free operation, nearly maintenance-free

Flexible

Application-oriented due to an intelligent variable speed drive, easy installation, optimum safety through a vacuum vessel

Compact

Vacuum vessel mounted directly beneath the vacuum pump, motor protection switch and inlet filter

Accessories/ Technical options

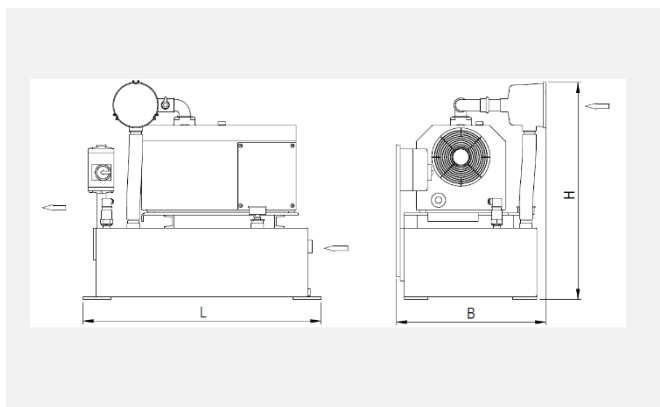
- Mobile version on casters
- Manual operating device for easy vacuum pump control
- Parametrization kit for parametrizing on a laptop

SIMPLEX VO 0040-0080 B

Vacuum System

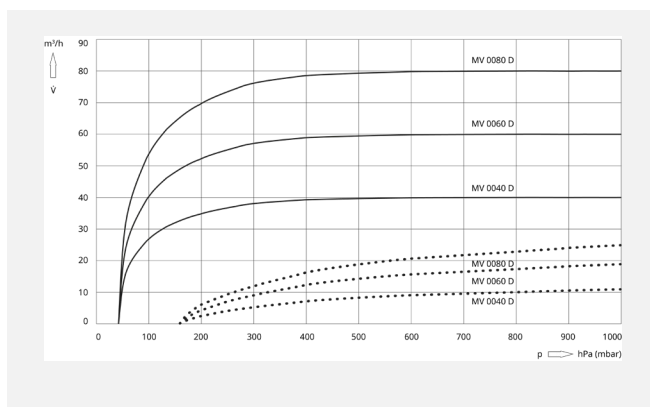


Dimensional Drawing



Pumping speed

Air at 20°C. Tolerance: ± 10% -Max. -Min



Technical data

	VO 0040 B	VO 0060 B	VO 0080 B
Nominal pumping speed	40 m³/h	60 m³/h	80 m³/h
Ultimate pressure	40 hPa (mbar)	40 hPa (mbar)	40 hPa (mbar)
Nominal motor rating (motor + fan)	1.3 kW	1.7 kW	2.1 kW
Nominal motor speed	1200-4200 min ⁻¹	1200-4200 min ⁻¹	1200-4200 min ⁻¹
Noise level (ISO 2151)	62 dB(A)	68 dB(A)	71 dB(A)
Oil capacity	0.6 l	0.6 l	0.6 l
Volume vacuum vessel	100 l	100 l	100 l
Weight approx.	154 kg	159 kg	159 kg
Dimensions (L x W x H)	900 x 565 x 829 mm	900 x 565 x 829 mm	900 x 565 x 829 mm
Gas inlet/outlet	G1 ¼" / G ¾"	G1 ¼" / G ¾"	G1 ¼" / G ¾"

Technical data only for 50 Hz, as operating voltage of control panel 380-415 V / 50 Hz

DO YOU WANT TO KNOW MORE?

Get in touch with us directly!
sales@busch.de or +49 7622 681-0