

RONDA slimtech 1000

Extra small and slim movements
for exclusive styles

Caliber 1005 – 10½'''



Product Specifications

Analog quartz movement	
Line	slimtech
Caliber	1005
Size	10½'''
Version	Swiss Made
	8 Jewels / gold plated
Standard battery life	25 months
High battery life	40 months
Hand fitting height	1

Features

- Repairable metal watch movement
- Power saving mechanism with pulled out stem: Reduction of consumption approximately 70%
- Complete interchangeability between 1002-1009, 1012-1019

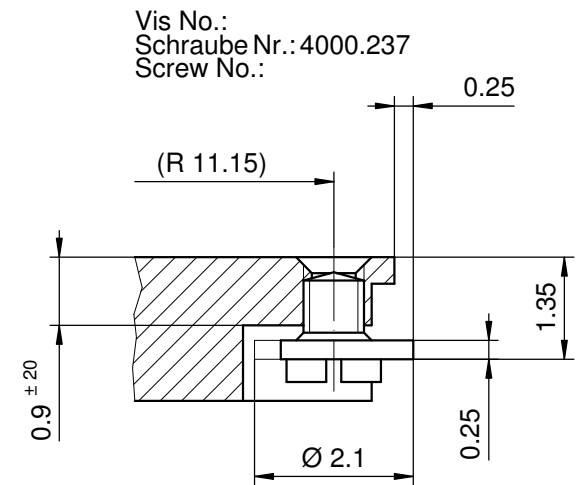
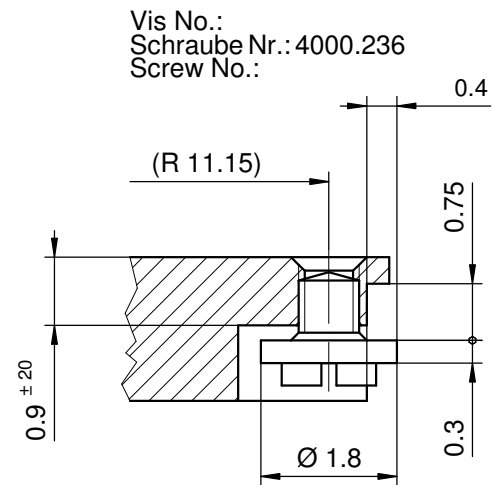
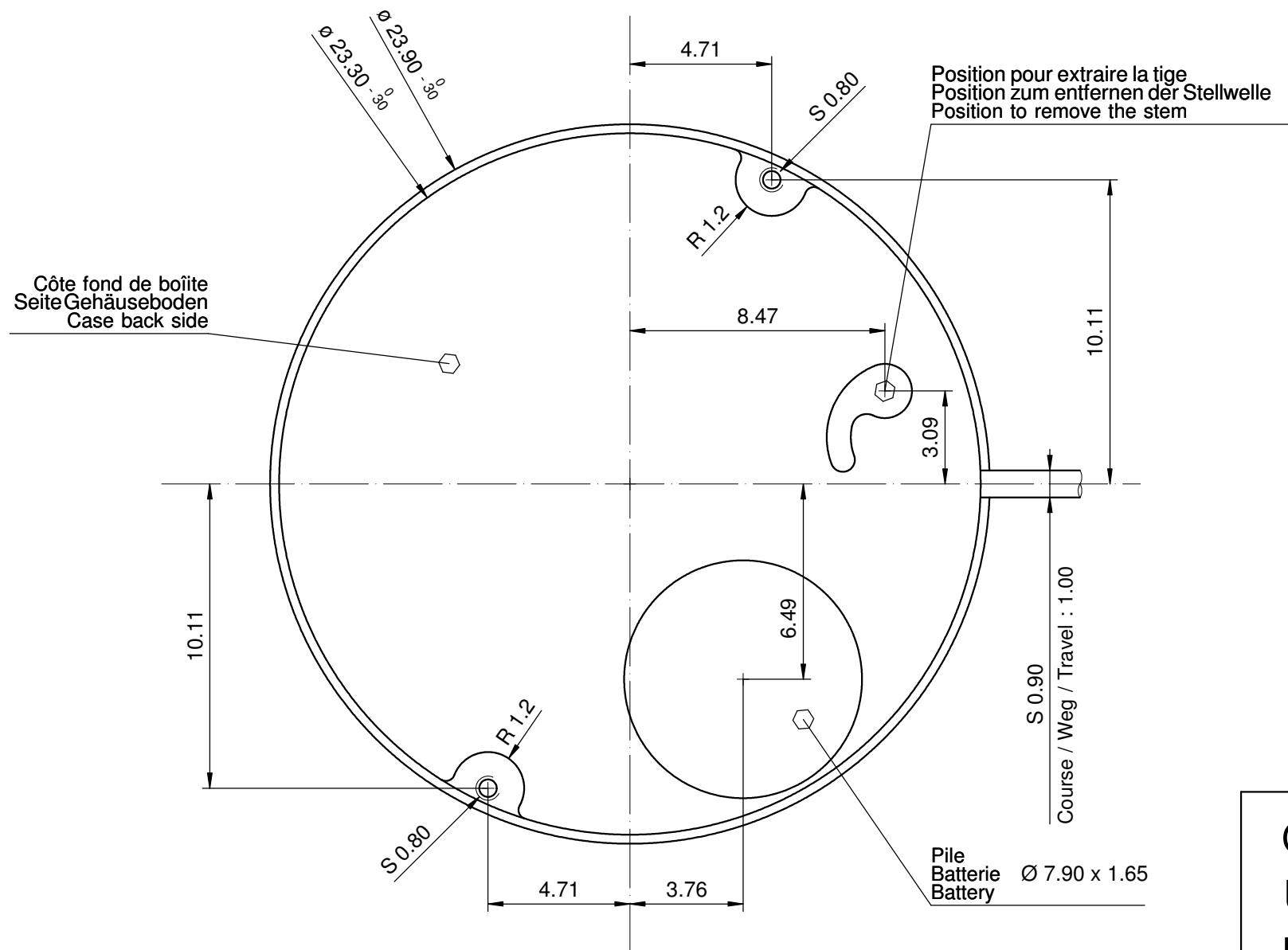
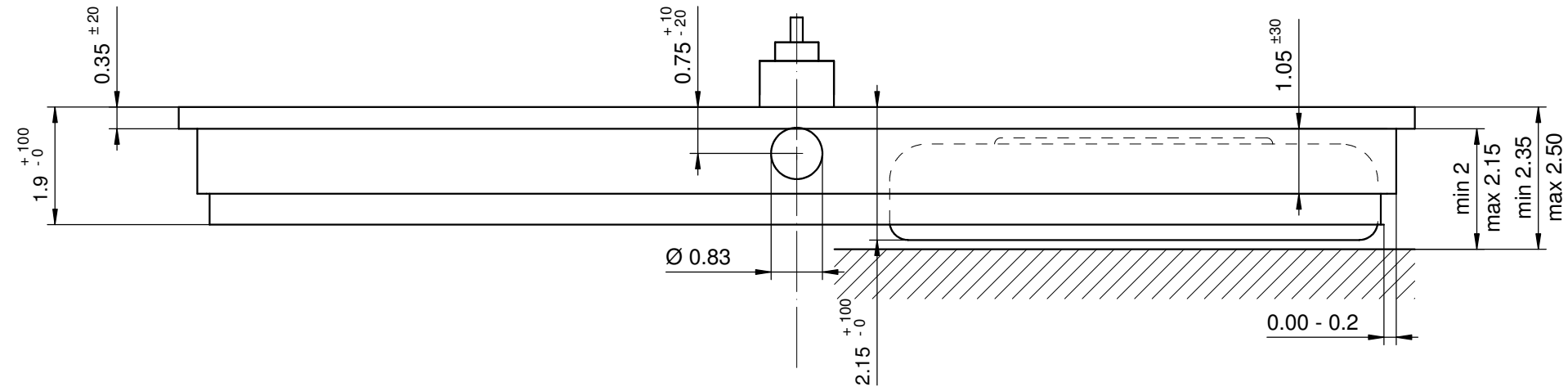
Functions

- Date
- 3 hands

Technical Specifications

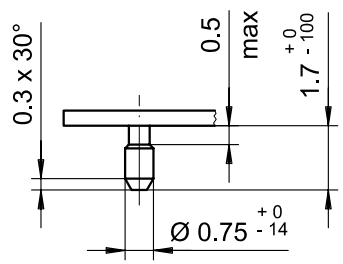
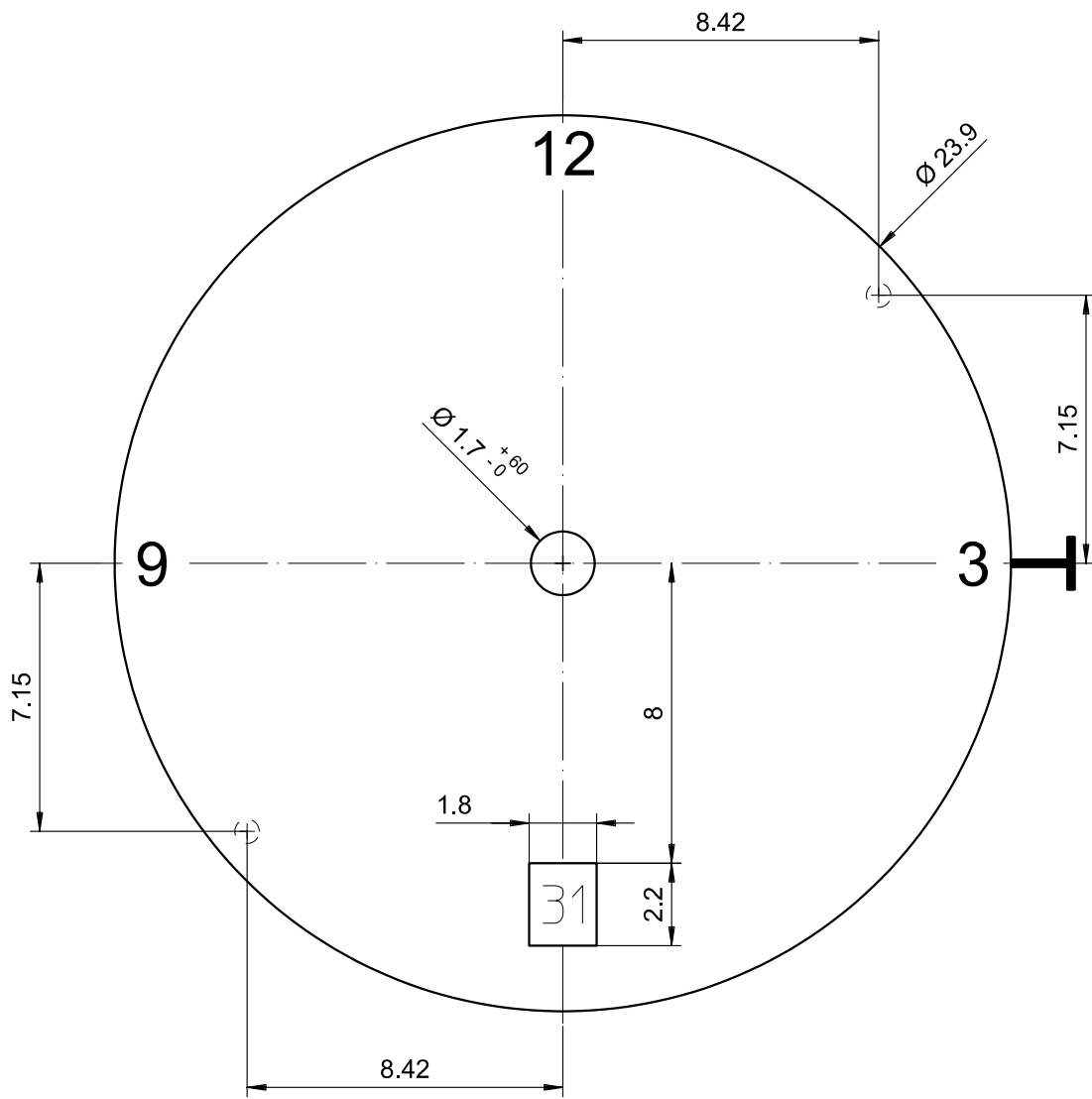
Diameter Total	23.90 mm
Case fitting	23.30 mm
Movement height	1.90 mm
Height over standard battery	1.90 mm
Height over high battery	2.15 mm
Movement rest	0.35 mm
Height over stem	0.75 mm
Length of stem travel	1.00 mm
Stem thread	0.90 mm
Standard battery	341
High battery	315
Standard battery life	25 months
High battery life	40 months
Battery voltage	1.5 V
Current consumption – typical	0.74 µA (Date Mechanism not in Gear)
Current consumption – maximum	1.1 µA (Date Mechanism not in Gear)
Useful torque second – typical	4 µNm
Useful torque minute – typical	200 µNm
Operating temperature	0 - 50 °C
Instantaneous rate	-10/ +20 sec/month
Resistance to magnetic fields	18.8 Oe
Resistance against shock	NIHS 91-10





Sécurité entre aiguille seconde et verre : min 0.30 mm
 Sicherheit zwischen Sekundenzeiger und Glas : min 0.30 mm
 Security between second hand and glass : min 0.30 mm

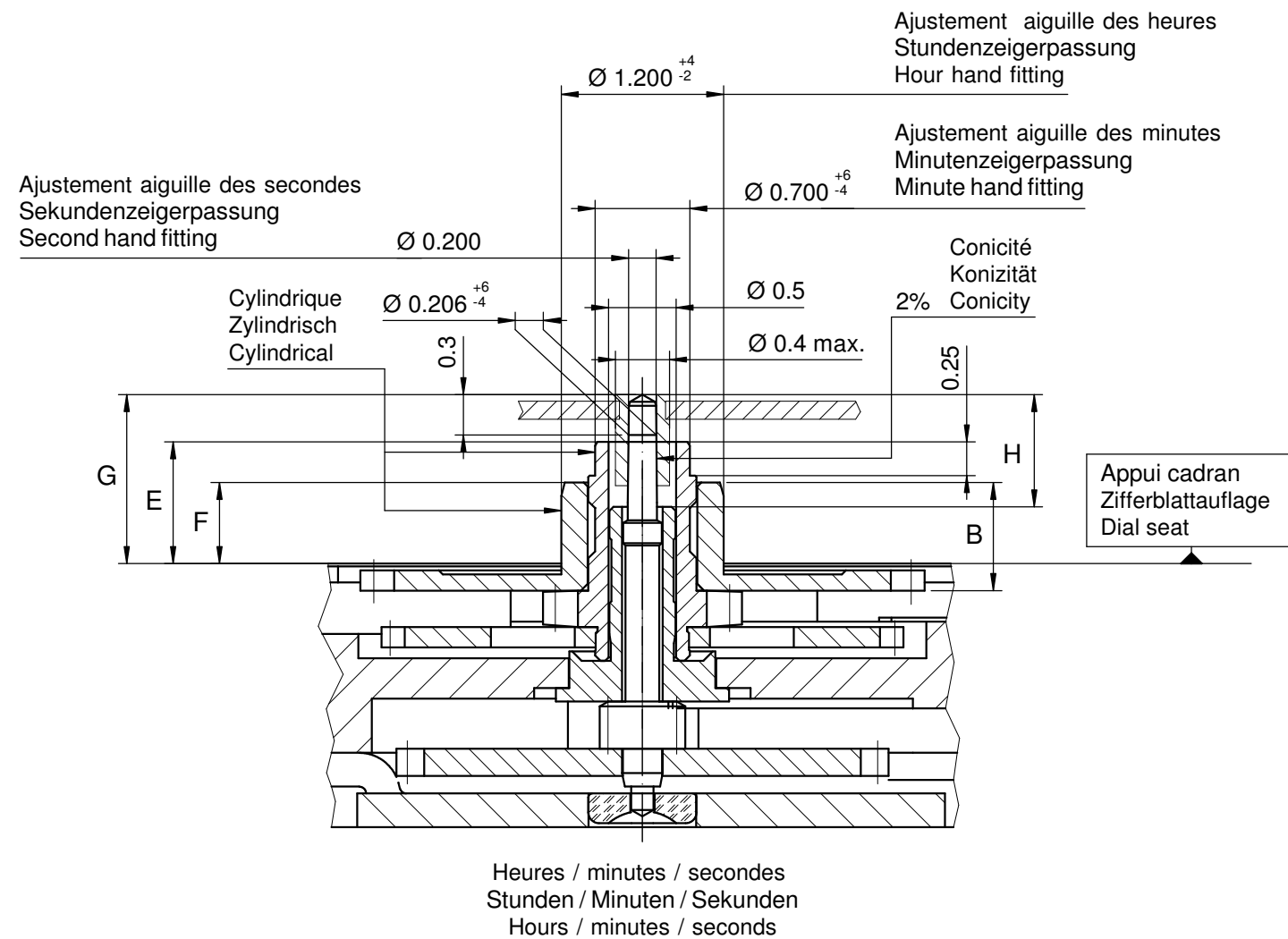
Cage Uhrwerkgestell 10½" Frame		Issued	20 Mai 2008	dh
		Modified	22 Mai 2013 ÄA 13271	dh
		Released	YES	
		Tolerance	+/- 20 µm	
		Scale	10 : 1 (5 : 1) (A3H)	
RONDA	1005	Pile Batterie Battery Ø7.90 x 1.65	Sous réserve de modifications Aenderungenvorbehalten Modifications reserved	
			No.	5000.374



Epaisseur du cadran selon hauteur de l'aiguillage
 Zifferblattdicke gemäss Zeigerwerkhöhen
 Dial thickness according to hand fitting heights

Tige	Date
Stellw.	Datum
Stem	Date
3H	6H
	<input type="checkbox"/>

Cadran Zifferblatt Dial	10½"	Issued	13 Dez 2006	cw
		Modified	15.Dez.2006 ÄÄ ----	cm
		Released	YES	
		Tolerance	+/- 20 µm	
		Scale	5 : 1 (A4V)	
RONDA	1005, 1006	Sous réserve de modifications Aenderungen vorbehalten Modifications reserved		
		No.	5010.589	01



Aiguillage no Zeigerwerkhöhe Nr. Hand fitting height No	Dépassement Höhe über Zifferblattauflage Height over dial seat			Longueur Länge Length		Epaisseur max. (peinture comprise) Max. thickness (inkl. Farbe) Max. thickness (paint included)			
	Pignon des secondes Sekundentrieb Second pinion	Chaussée Minutenrohr Cannon-pinion	Roue des heures Stundenrad Hour wheel	H	B	Cadran Zifferblatt Dial			Aiguilles Zeiger Hands
						Sous l'aiguille des secondes Unter Sekundenzeiger Under second hand	Sous l'aiguille des minutes Unter Minutenzeiger Under minute hand	Sous l'aiguille des heures Unter Stundenzeiger Under hour hand	
G	F	F	H	B					
0	1.25	0.90	0.60	0.83	0.80	0.75	0.50	0.30	0.15
1	1.55	1.10	0.80	0.85	1.00	1.05	0.70	0.40	0.15
2	1.80	1.35	1.05	0.85	1.25	1.30	0.95	0.60	0.15

	Aig. des secondes Sekundenzeiger Second hand	Aig. des minutes Minutenzeiger Minute hand	Aig. des heures Stundenzeiger Hour hand	Lors de la pose d'aiguilles, le mouvement doit être soutenu. Beim Zeigersetzen muss das Werk abgestützt werden. The movement needs to be supported for hand setting.
mg max.	10	30	30	Masse / Masse / Weight *
µNm max.	0.04	0.60	0.60	Balourd / Unwucht / Unbalance *
gmm ² max.	0.2	-	-	Inertie / Massenträgheit / Inertia *
N max.	30	40	40	Force de chassage / Aufpresskraft / Force

Sous réserve de toutes modifications

Aenderungen vorbehalten

All modifications reserved

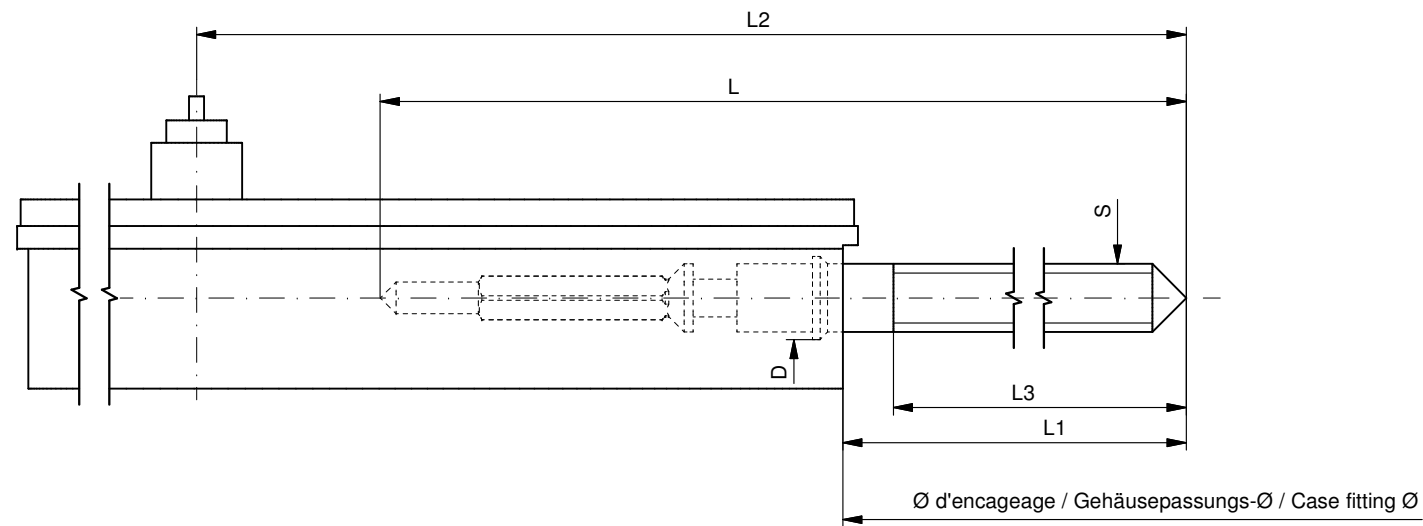
Aiguillages
Zeigerwerkhöhen
Hand fitting heights

10½", 11½"

RONDA

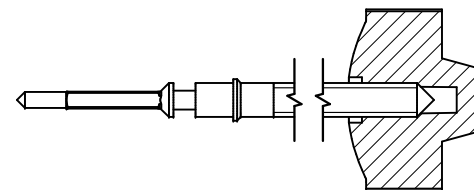
1003, 1005, 1013, 1015

Issued	14 Mär 2001	mK
Modified	18 Feb 2011 ÅA 10340	ps
Released	Yes	
Tolerance	µm	
Scale	20 : 1 (A3H)	
Sous réserve de modifications Aenderungen vorbehalten Modifications reserved		
No.	3316.069	07



Tige de travail (intégrée dans le mouvement)
 Arbeitstellwelle (im Werk eingebaut)
 Working stem (implemented in the movement)

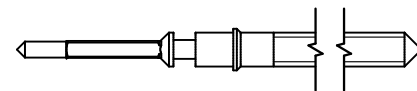
No. d'article Artikelnummer Part number	L	L1	L2	L3	S	D
3000.169.CO	20.00	11.28	22.93	11.75	0.90	0.90



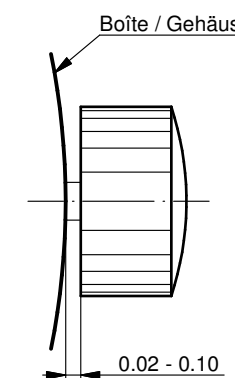
Couleur de la couronne Kronenfarbe Crown color	noir schwarz black
Code	UN 0055

Tige (normale) / Stellwelle (normal) / Stem (normal)

No. d'article Artikelnummer Part number	L	L1	L2	L3	S	D
3000.169	20.00	11.28	22.93	11.75	0.90	0.90



Couronne normale
 Normale Krone
 Normal crown

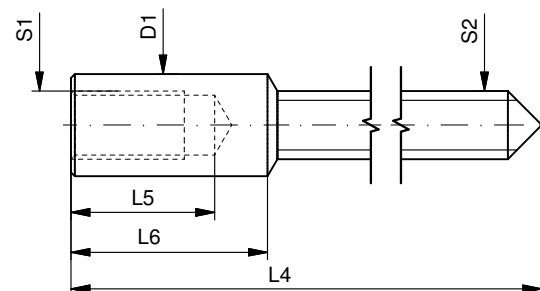


Couronne vissée
 Geschraubte Krone
 Screwed crown

Force ⇐ min. Kraft ⇐ min. Force ⇐ min.	10 N
Force ⇐ max. Kraft ⇐ max. Force ⇐ max.	15 N

Rallonge de tige / Stellwelle Verlängerung / Stem extension

No. d'article Artikelnummer Part number	L4	L5 (min)	L6	S1	S2	D1
3000.040	12.00	1.90	2.60	0.90	0.90	1.35



Tige (dimensions / forces)
 Stellwelle (Dimensionen / Kräfte)
 Stem (dimensions / forces)

RONDA 1005, 1006, 1009

Issued	31 Aug 2012	ds5222
Modified	17 Mär 2017 ÄA 34582	mg5224
Released	YES	
Tolerance	---	
Scale	10:1 (A3)	

Sous réserve de modifications
 Änderungen vorbehalten
 Modifications reserved

No.	5030.014	03
-----	----------	----

User's Manual English

Movements Caliber

RONDA powertech

– 585
– 505
– 515

RONDA slimtech

– 1005
– 1006
– 1009
– 1015
– 1016
– 1019

RONDA normtech

– 774 – 6003.D
– 775 – 6004.D
– 704 – 6003.B
– 705 – 6004.B
– 784
– 785
– 714
– 715
– 715Li

RONDA mastertech

– 7002.B
– 7003.B
– 7004.B

You have decided to buy a watch, which was assembled by a watchmaker using a Ronda movement. Please note that no watches are produced or distributed under the Ronda brand.

In case of repairs, guarantee claims and questions concerning the functioning of a watch, purchasers and consumers should contact their retailer or the watch manufacturer, for which the relevant information can be found in the sales or guarantee documentation provided with the watch.

Cal. 585 / 785:

Battery type: 362/SR721SW

Cal. 774 / 775 / 784:

Battery type: 364/SR621SW

Cal. 505 / 515 / 704 / 705 / 714 / 715:

Battery type: 371/SR920SW

Cal. 6003.D / 6004.D / 6003.B / 6004.B:

Battery type: 373/SR916SW

Cal. 1005 / 1006 / 1009 / 1015 / 1016 / 1019:

Battery type: 341/SR714SW

Cal. 7002.B / 7003.B / 7004.B:

Battery type: 381/SR1120SW

Cal. 715Li:

Battery type: CR 2016

Precision: +20/-10 seconds per month

Cal. 585

Cal. 6003.D

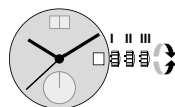
Cal. 505

Cal. 6004.D

Cal. 515

Cal. 6003.B

Cal. 6004.B



Pos. I Position of rest (watch running)

Pos. II Quick-change correction for date

The date can also be corrected during the day-changing phase between 10 pm and midnight. The date of the following day has to be set, because no automatic date change takes place at midnight.

- Pull the crown out to position II (watch still running).
- Turn the crown clockwise until the required date appears.

Cal. 6003.D & 6004.D:

- Turn the crown until the required date appears.
- Push the crown back into position I.

Pos. III Setting the time

- Pull the crown out to position III (watch stopped).
- Turn the crown, until the current time is displayed (remember the 24-hour cycle).
- Push the crown back into position I.

Cal. 774

Cal. 715Li

Cal. 775

Cal. 704

Cal. 1005

Cal. 705

Cal. 1006

Cal. 784

Cal. 1009

Cal. 785

Cal. 1015

Cal. 714

Cal. 1016

Cal. 715

Cal. 1019



Pos. I Position of rest (watch running)

Pos. II Quick-change correction for date

Blocking time for the quick-change day correction is from approx. 9.30 pm and midnight.

- Pull the crown out to position II (watch still running).
- Turn the crown until the current date appears.
- Push the crown back into position I.

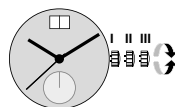
Pos. III Setting the time

- Pull the crown out to position III (watch stopped).
- Turn the crown, until the current time is displayed (remember the 24-hour cycle).
- Push the crown back into position I.

Cal. 7002.B

Cal. 7003.B

Cal. 7004.B



Pos. I Position of rest (watch running)

Pos. II Quick-change correction for date

The date can also be changed during the day-changing phase between approx. 8.00 pm and midnight. The date of the following day has to be set, because no automatic date change takes place at midnight.

- Pull the crown out to position II (watch still running).
- Turn the crown until the current date appears.
- Push the crown back into position I.

Pos. III Setting the time

- Pull the crown out to position III (watch stopped).
- Turn the crown, until the current time is displayed (remember the 24-hour cycle).
- Push the crown back into position I.