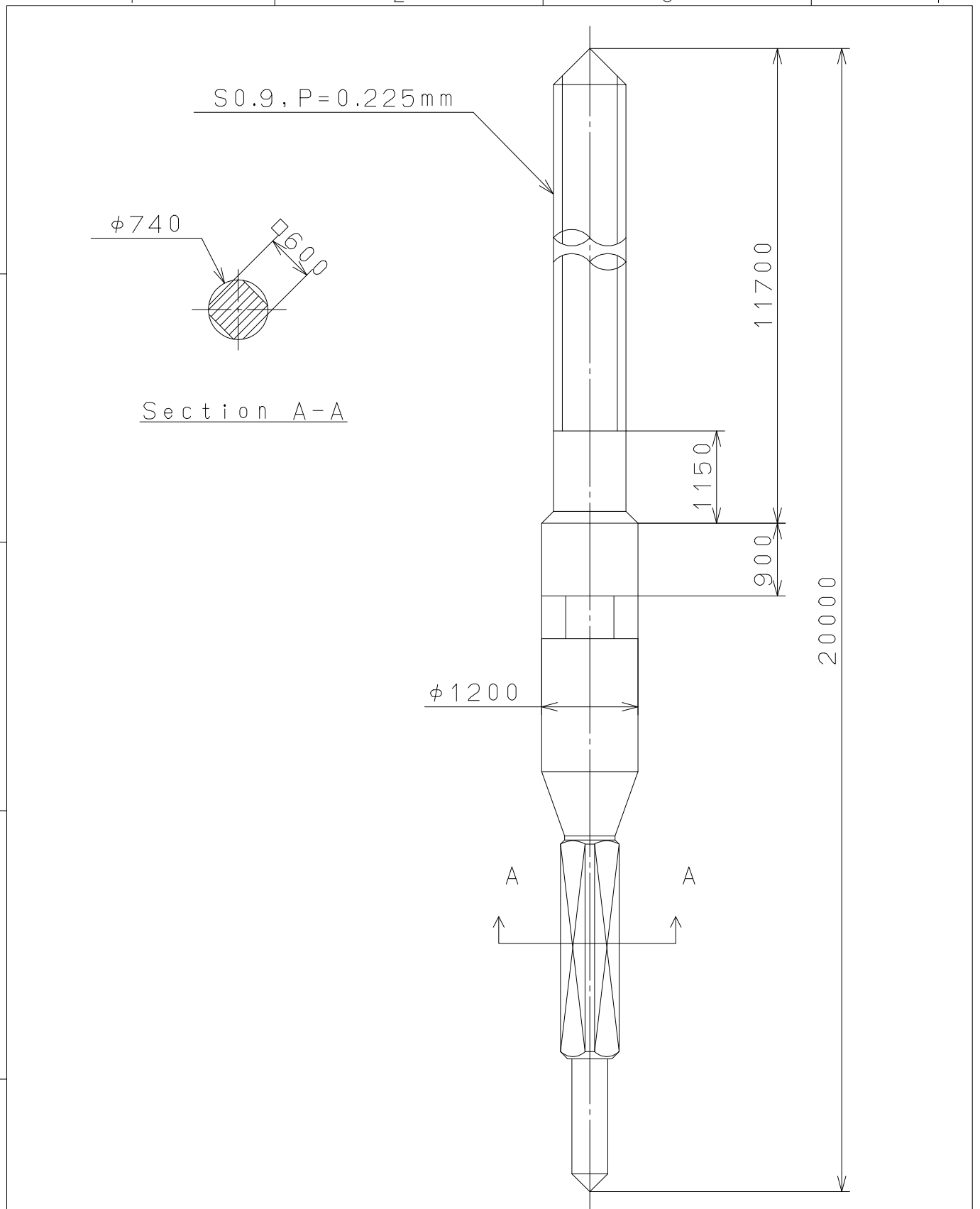


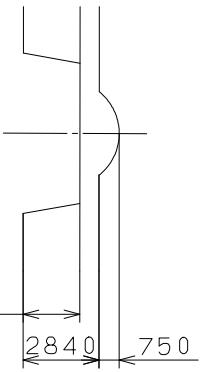
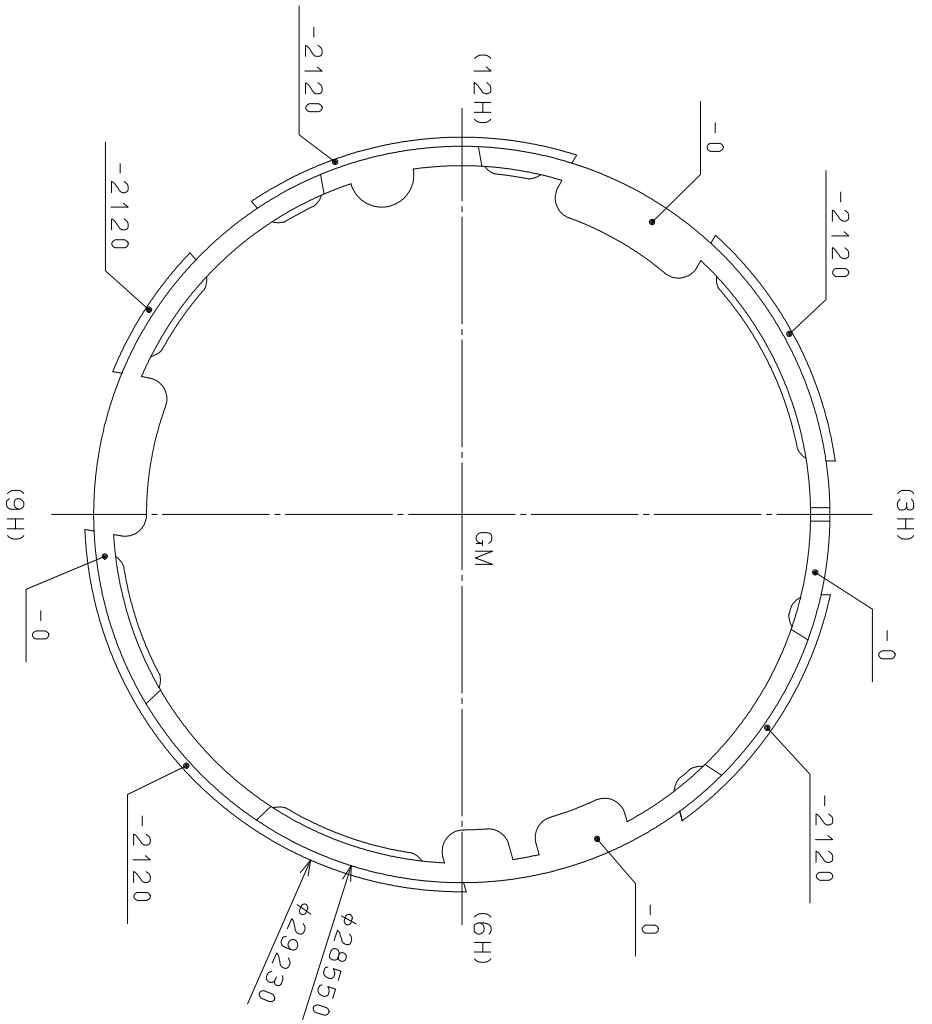
2008/11/14 (11:30:42)

This drawing is provisional and subject to our reconfirmation and/or revision without notice.

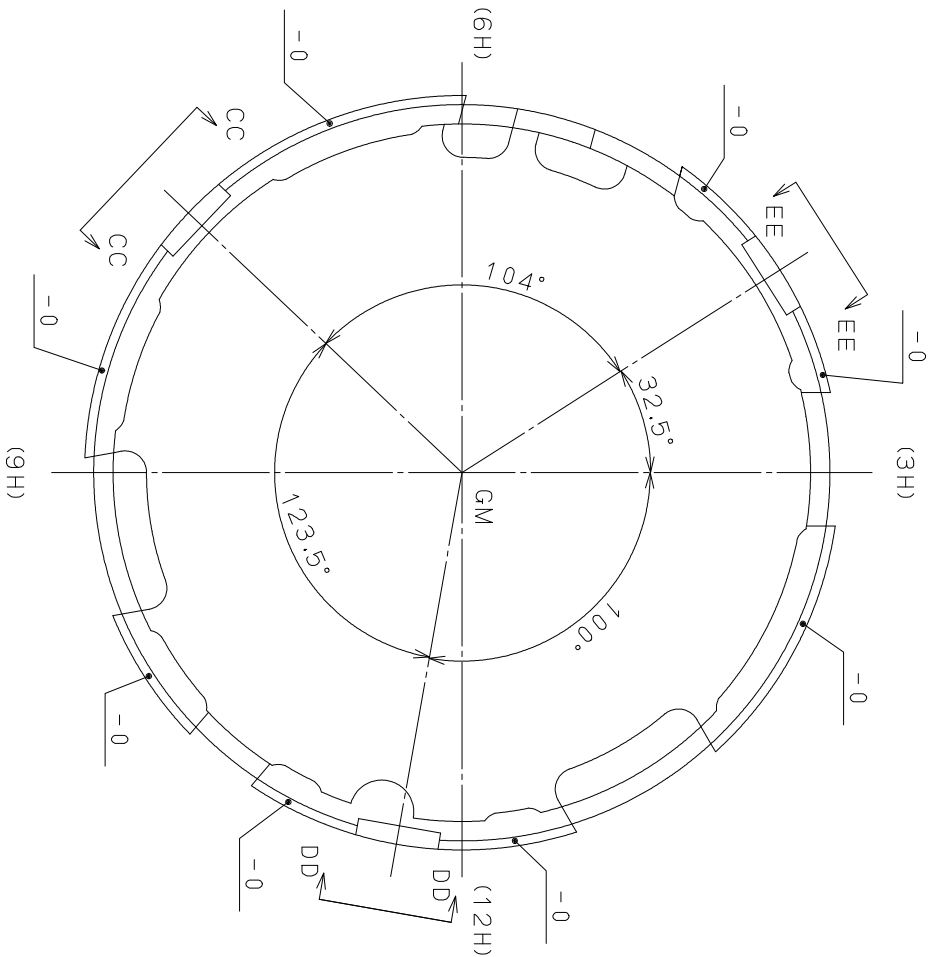


| | | | | | |
|----------------|------|-------------|--------------------|---|-----------------------|
| ⑤ | | | Quantity | | Cal.NO.: |
| ④ | | | Unit | 1/1000mm | |
| ③ | | | Scale | 15:1 | Parts No.: |
| ② | | | Date | | 065-212 |
| ① | | | Drawn | | |
| Mark | Date | Description | Appro. | Checked | Name: |
| | | Alterations | Approved | N. Suzuki | SETTING STEM |
| Material | | | | | Drawing No.: 2120S001 |
| Heat Treatment | | | General Tolerances | MIYOTA CITIZEN WATCH CO., LTD. TOKYO, JAPAN | |
| Hardness | | | Dimensions | | |
| Plating | | | Angles | | |

This drawing is provisional and subject to our reconfirmation and/or revision without notice.



View CC-CC
DD-DD, EE-EE



| | | | |
|----------------|--------------------|-----------|-----------------------|
| △ | Quantity | 1/1000 mm | Call. NO.: |
| △ | Unit | 5 : 1 | Parts No.: |
| △ | Scale | 500-710 | |
| △ | Date | | |
| △ | Date | | |
| △ | Drawn | | |
| Mark | Date | Approved | Name: |
| Alterations | Description | Checked | Casing Holder |
| | | Approved | Drawing No.: 8200E003 |
| Material | | | |
| Heat Treatment | | | |
| Hardness | | | |
| Plating | | | |
| | General Tolerances | | |
| | Dimensions | | |
| | Angles | | |

MIYOTA

CITIZEN WATCH CO., LTD. TOKYO, JAPAN