

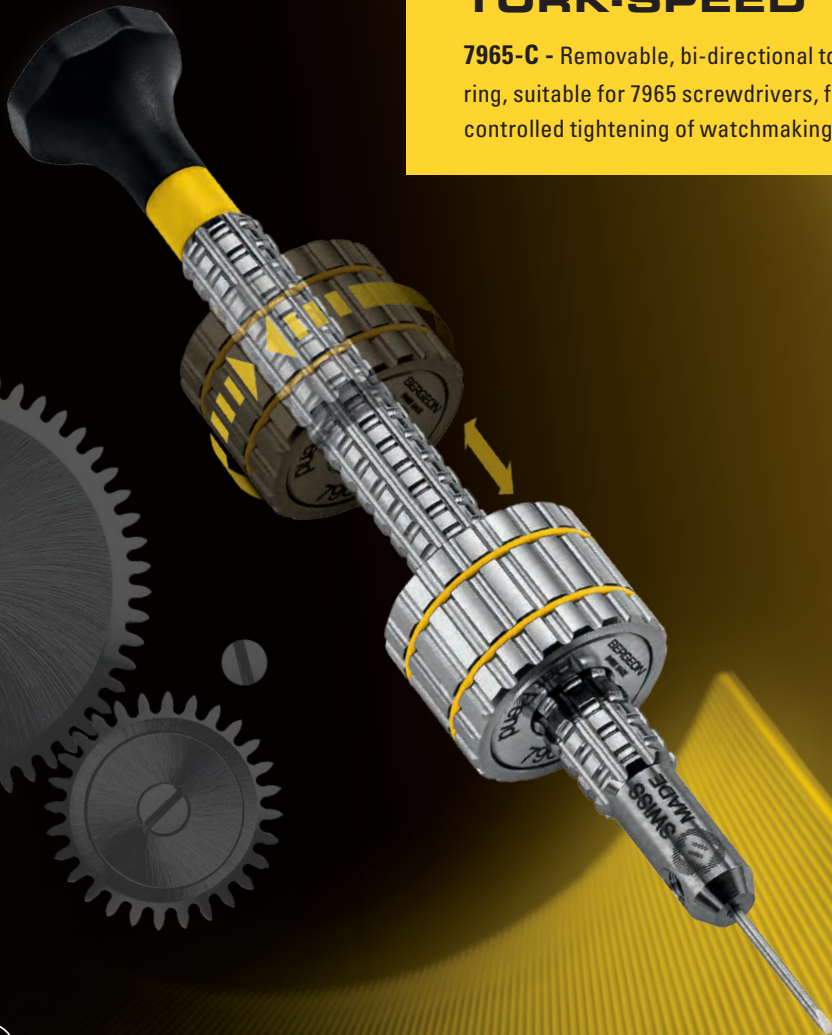


# BERGEON

SWISS · MANUFACTURE · 1791

## TORK-SPEED

**7965-C** - Removable, bi-directional torque ring, suitable for 7965 screwdrivers, for controlled tightening of watchmaking screws.



## 7965-C TORQUE RING TORK-SPEED

TORK-SPEED precision rings designed for **7965** screwdrivers allow screws to be tightened to a pre-set, fixed torque of **between 10 and 60 mNm**, controlled by an integrated regulating mechanism.

The TORK-SPEED rings are made of stainless steel and their patented design means they fit perfectly on **7965** screwdrivers.

**The same screwdriver** can be fitted **with two different rings**, one for tightening and the other for controlling. What's more, they can be moved along the handle of the screwdriver (see opposite) for optimum ease of use. Coloured gaskets are also available to identify the different rings, but these need to be ordered separately (7965-J).

### PRESET AND FIXED TORQUES

Specific torque on request



	mNm	Tol. min. mNm	Tol. max mNm		mNm	Tol. min. mNm	Tol. max mNm
<b>7965-C10</b>	10	9.0	11.0	<b>7965-C40</b>	40	38.0	42.0
<b>7965-C15</b>	15	13.7	16.3	<b>7965-C45</b>	45	42.8	47.2
<b>7965-C20</b>	20	18.4	21.6	<b>7965-C50</b>	50	48.0	52.0
<b>7965-C25</b>	25	23.3	26.7	<b>7965-C55</b>	55	52.8	57.2
<b>7965-C30</b>	30	28.2	31.8	<b>7965-C60</b>	60	57.6	62.4
<b>7965-C35</b>	35	33.3	36.7				

TORK-SPEED torque rings have already been adopted by some of the world's leading manufactures, and are acclaimed by the most experienced watchmakers for their precision and ease of use.

## 7965 - SCREWDRIVERS

The **7965** screwdrivers, which fit the TORK-SPEED rings, have a stainless steel body with a patented profile. Their ergonomic design makes them easy to grip.

They are available with blades<sup>1</sup> made of hardened stainless steel 54 HRC or parallel flank blades<sup>2</sup> made of high-speed steel 61 HCR (Ø 0.50 - 3.00 mm).

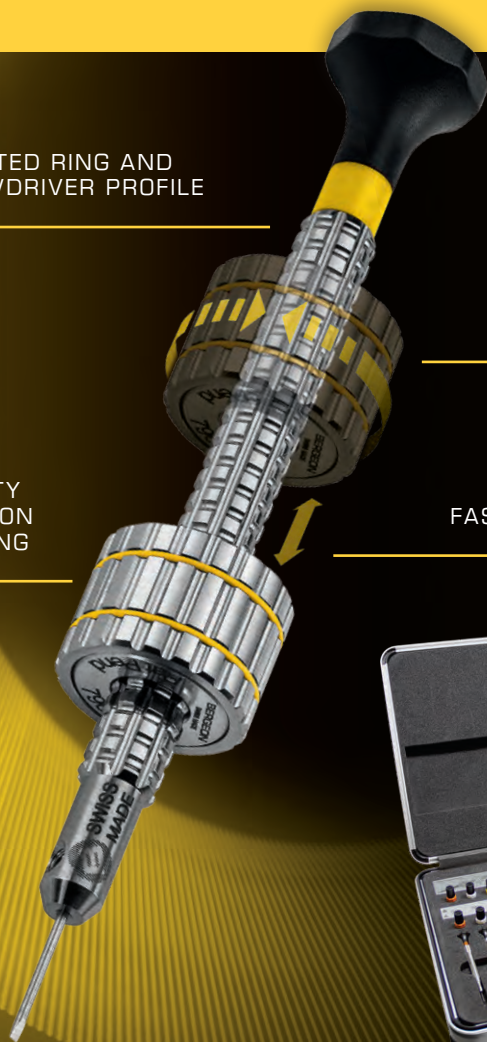


PATENTED RING AND  
SCREWDRIVER PROFILE

BI-DIRECTIONAL RING  
THAT CAN BE POSITIONED  
ALONG THE LENGTH  
OF THE SCREWDRIVER

REPEATABILITY  
AND PRECISION  
OF TIGHTENING

EASY TO USE,  
FAST AND EFFICIENT

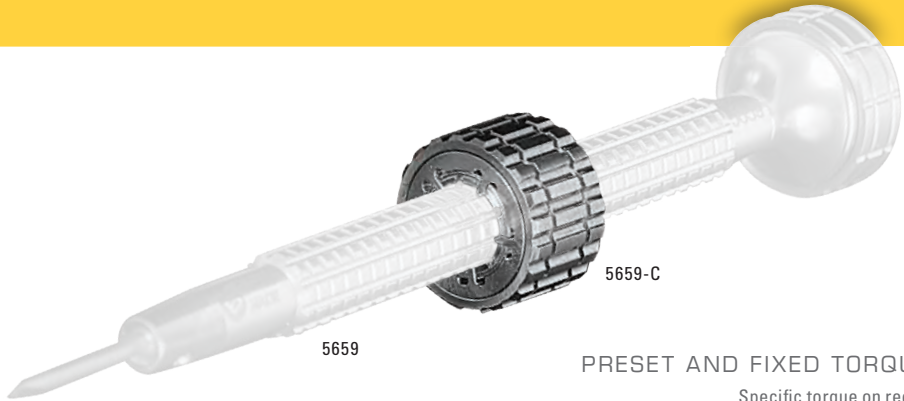


**7965-PREMIUM**  
Tool case containing 10 screwdrivers and  
10 TORK-SPEED torque rings

## 5659-C THE NEW RANGE OF RINGS DEVELOPED FOR HIGH TORQUE APPLICATIONS!

TORK-SPEED torque rings are equipped with a new line offering to offer a wider range of tightening torques.

These new rings, combined exclusively with the **5659** screwdrivers, enable tightening torques **of between 70 and 180 mNm**. This range is particularly well suited to watchmaking trim work, but is also suitable for microtechnology applications in the broadest sense.



### PRESET AND FIXED TORQUES

Specific torque on request



	mNm	Tol. min. mNm	Tol. max mNm		mNm	Tol. min. mNm	Tol. max mNm
<b>5659-C70</b>	70	66.5	73.5	<b>5659-C130</b>	130	123.5	136.5
<b>5659-C80</b>	80	76.0	84.0	<b>5659-C140</b>	140	133.0	147.0
<b>5659-C90</b>	90	85.5	94.5	<b>5659-C150</b>	150	142.5	157.5
<b>5659-C100</b>	100	95.0	105.0	<b>5659-C160</b>	160	152.0	168.0
<b>5659-C110</b>	110	104.5	115.5	<b>5659-C170</b>	170	161.5	178.5
<b>5659-C120</b>	120	114.0	126.0	<b>5659-C180</b>	180	171.0	189.0