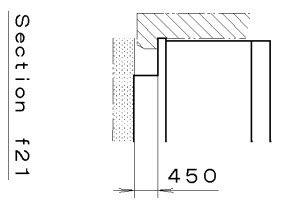
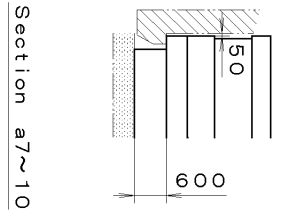
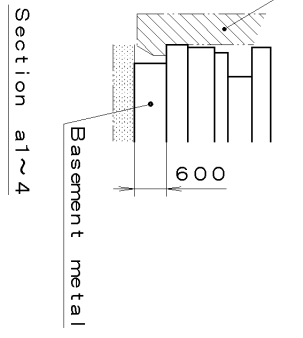
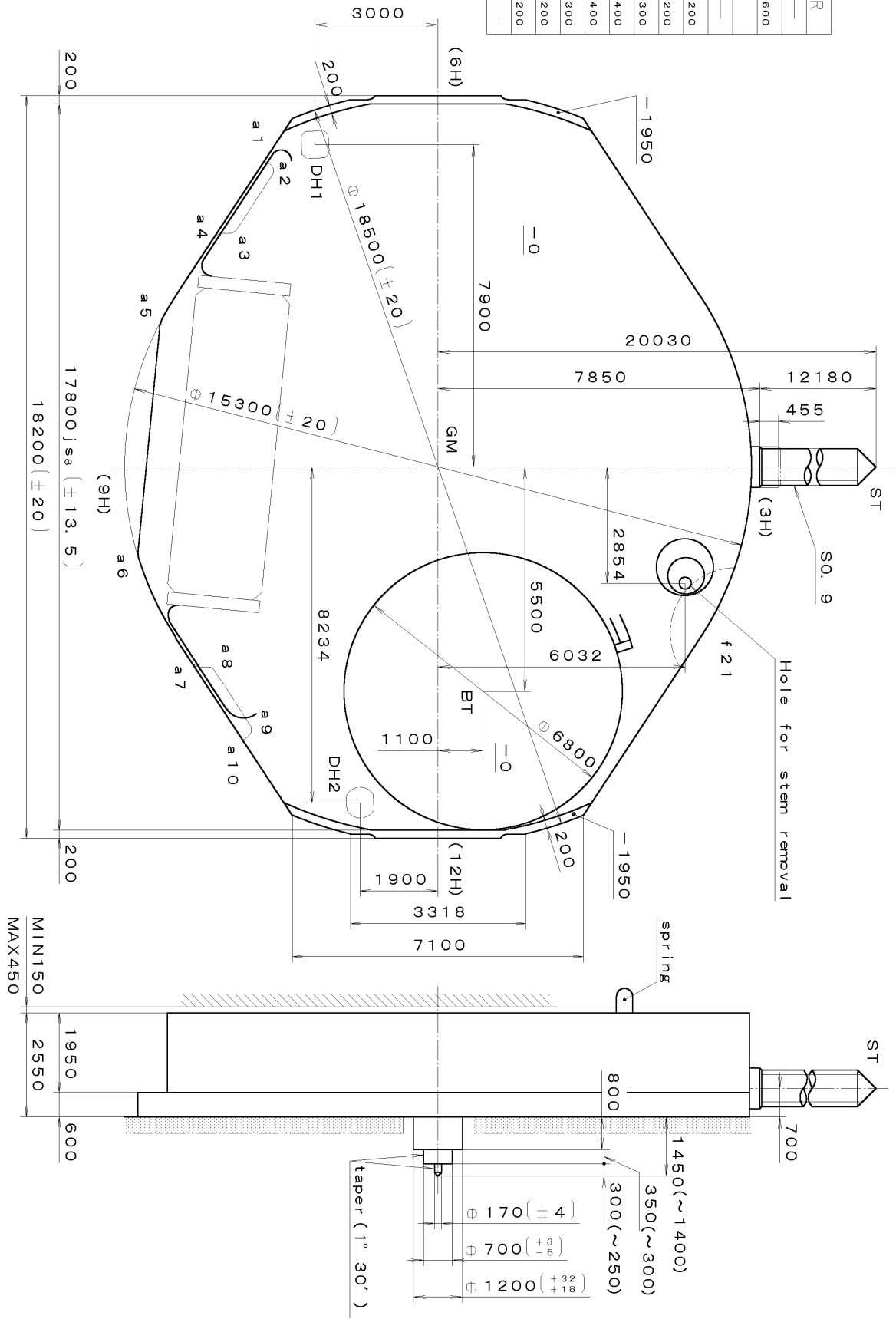


*** T1PW 6L32 (01) *** (2100 1121) 00-11-20

DH1~DH2= 16171 (±20)

Coordinates

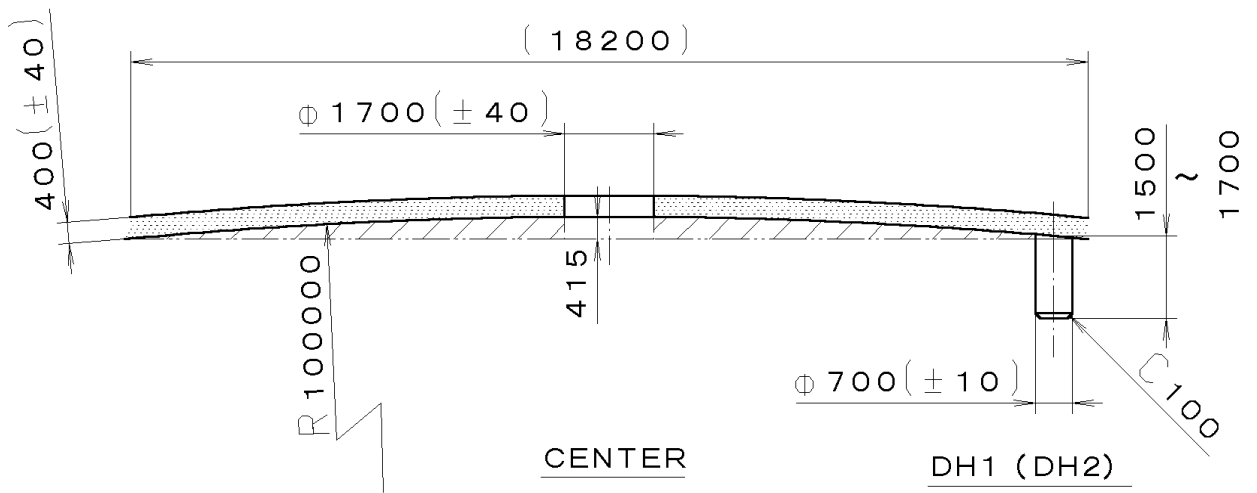
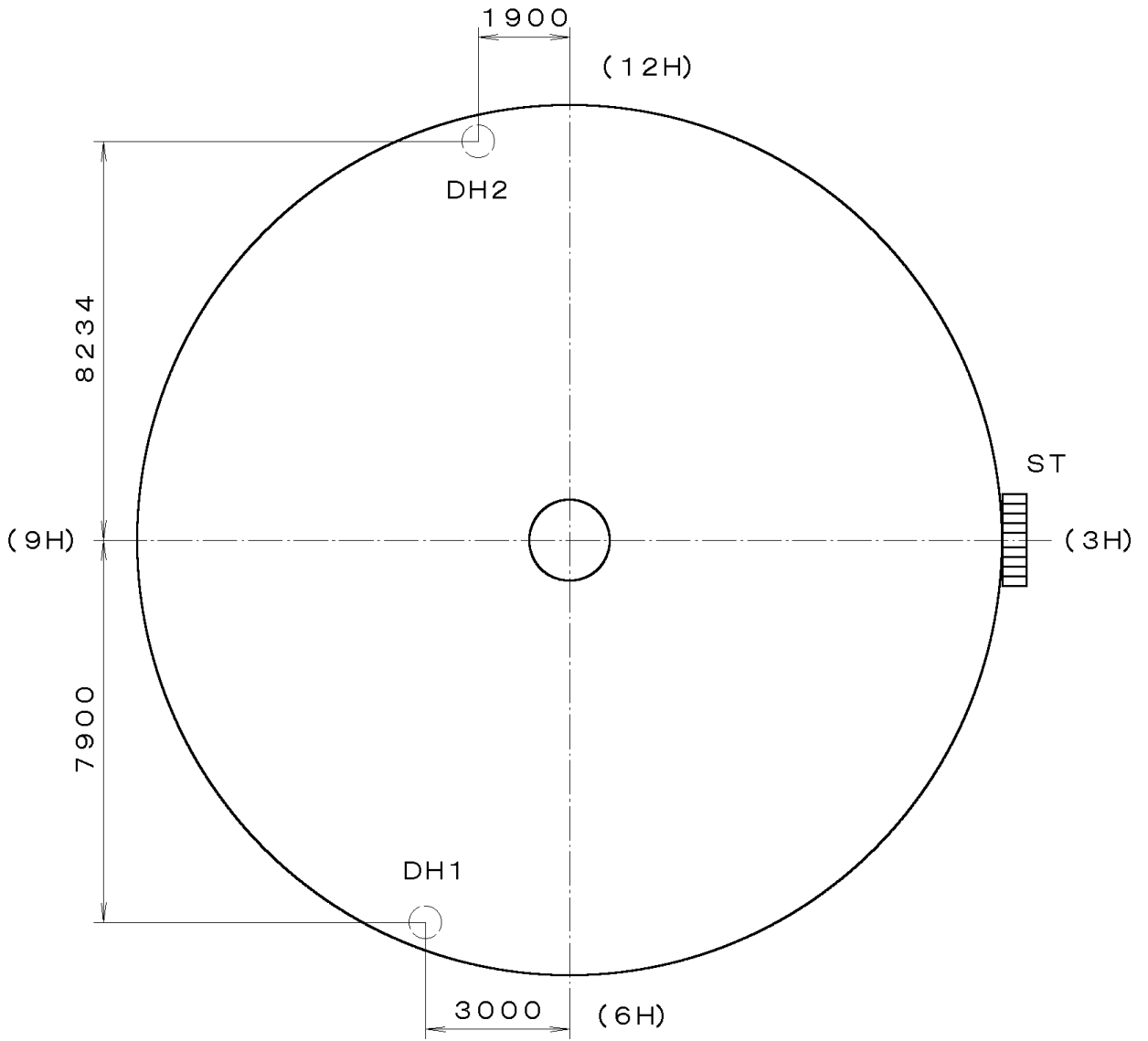
Mark	X	Y	R
GM	0	0	—
f 21	4069	7257	1600
a 1	-7502	-4231	—
a 2	-7252	-4215	200
a 3	-5914	-5092	200
a 4	-5433	-5228	300
a 5	-3437	-6383	400
a 6	2156	-6922	400
a 7	4625	-5757	300
a 8	5106	-5621	200
a 9	6444	-4745	200
a 10	6693	-4761	—



Material	Quantity	Unit	Cal. No. :
Material		1/1000 mm	6L32
Heat Treatment		Scale	Parts:
Hardness		10:1	
Plating		Date	
		Drawn	
		Checked	Name: T. Hiruta
		Approved	Frame for Case
			Drawing No. : 6L32C0000
General Tolerances			
Dimensions			
Angles			

CITIZEN WATCH CO., LTD.
TOKYO, JAPAN

This drawing is provisional and subject to our reconfirmation and/or revision without notice.

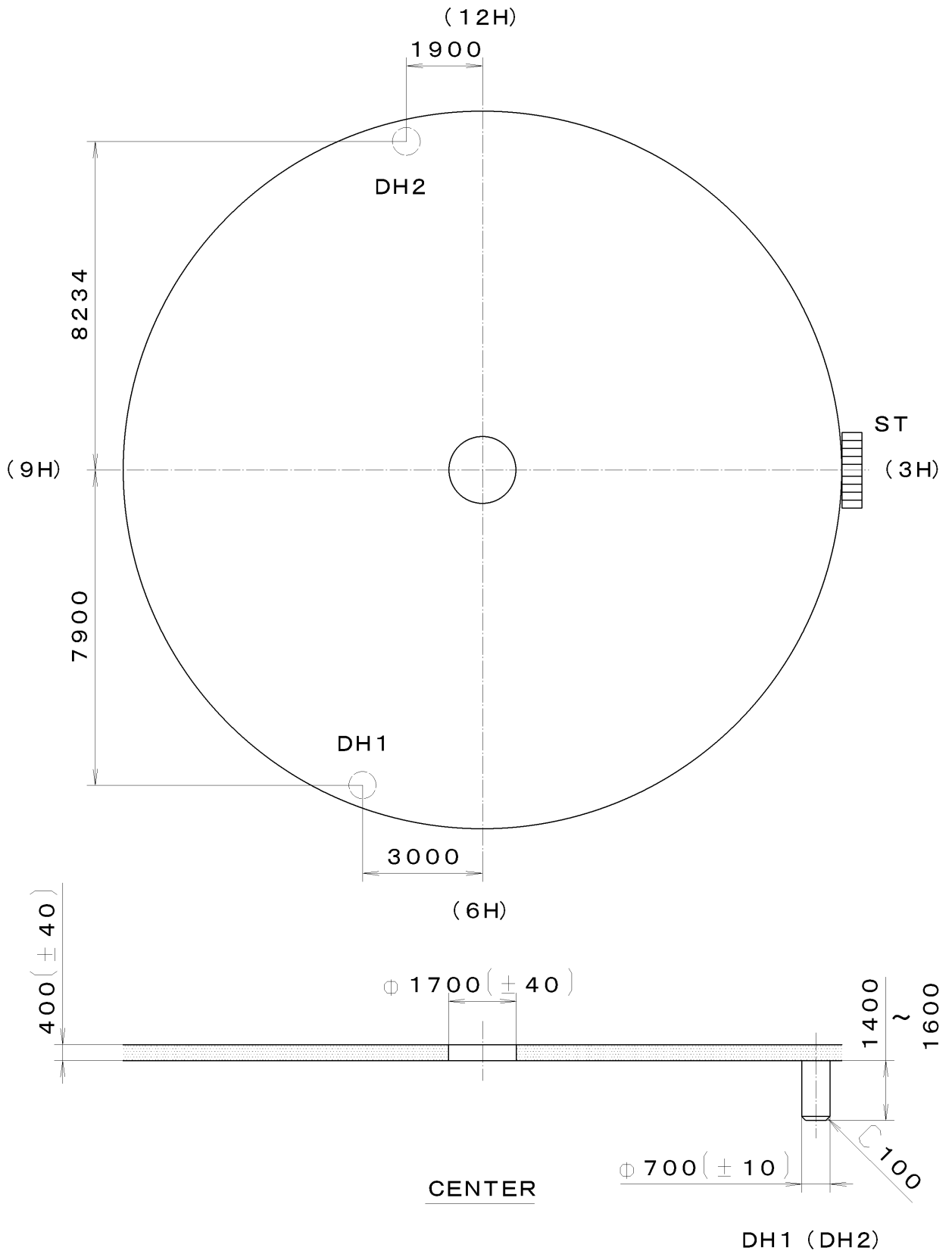


*** T I P W 6L26-00A (01) *** (2100 1121) 00-10-06

7		Quantity		Cal. No. : 6L26-00A
6		Unit	1/1000 mm	
5		Scale	7:1	Parts:
4		Date		
3		Drawn		
2		Checked	T. Hiruta	Name:
1		Approved		Indications for Dial
Material				Drawing No. : 6L26D000
Heat Treatment		General Tolerances		CITIZEN WATCH CO., LTD. TOKYO, JAPAN
Hardness		Dimensions		
Plating		Angles		

This drawing is provisional and subject to our reconfirmation and/or revision without notice.

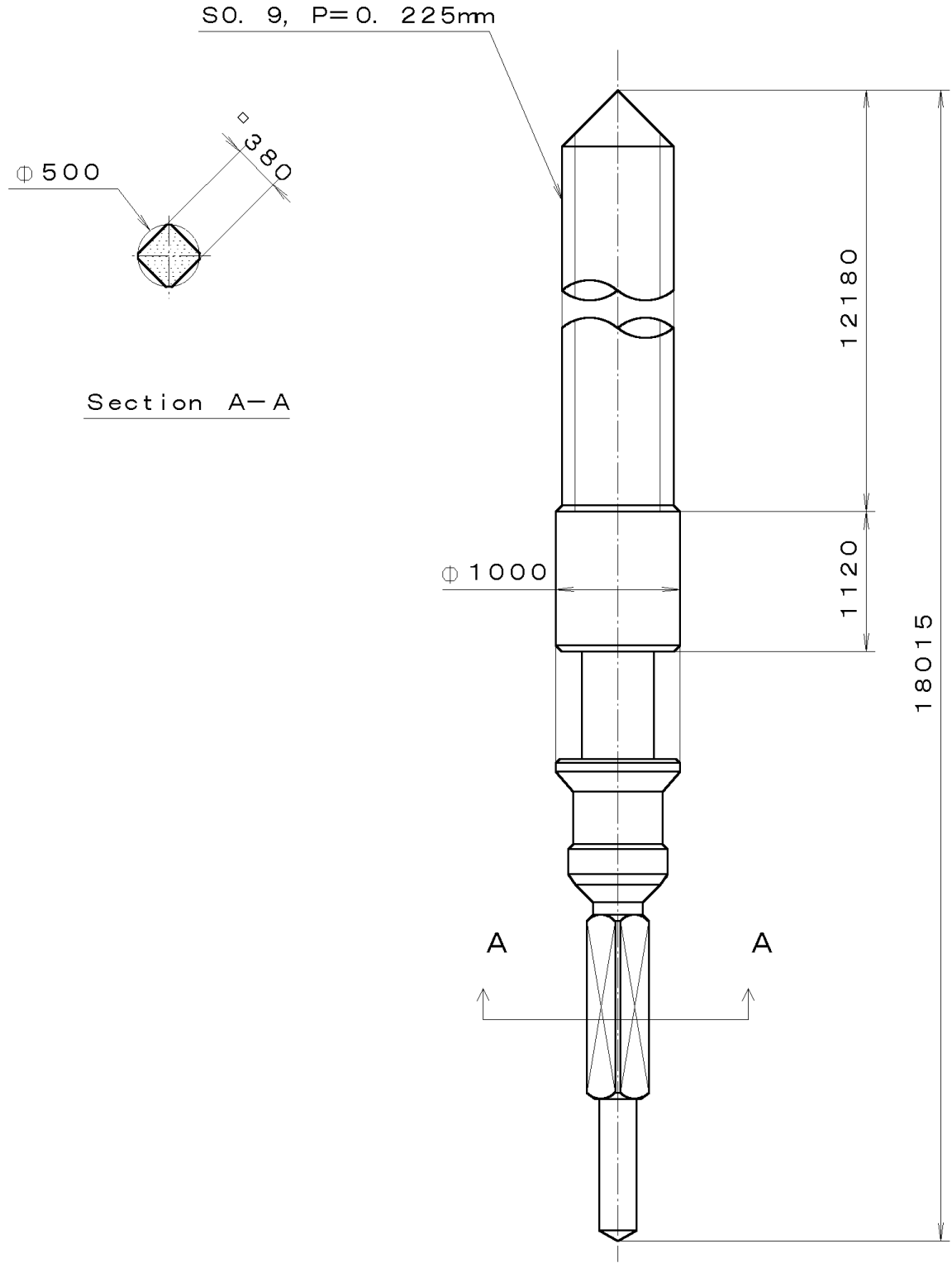
*** T I P W 6 L 3 2 - 0 0 A (0 1) *** (2 1 0 0 1 1 2 1) 0 3 - 1 1 - 0 6



6 L 3 2 - 0 0 A (0 1) *** T I P W			Quantity		Cal. No. : 6L32-00A
			Unit	1/1000 mm	
			Scale	7:1	Parts:
			Date		
			Drawn		
			Checked	M. Fukuda	Name:
			Approved		Indications for Dial
Material				Drawing No. : 6L32D000	
Heat Treatment			General Tolerances	CITIZEN WATCH CO., LTD. TOKYO, JAPAN	
Hardness			Dimensions		
Plating			Angles		

This drawing is provisional and subject to our reconfirmation and/or revision without notice.

065-379 (01) *** (2100 1121) 00-06-23



7			Quantity		Cal. No. :
6			Unit	1/1000 mm	
5			Scale	20:1	Parts:
4			Date		065-379
3			Drawn		Name:
2			Checked	T. Hiruta	SETTING STEM
1			Approved		Drawing No. : 3790S000
Material			General Tolerances		CITIZEN WATCH CO.,LTD. TOKYO, JAPAN
Heat Treatment			Dimensions		
Hardness			Angles		
Plating					