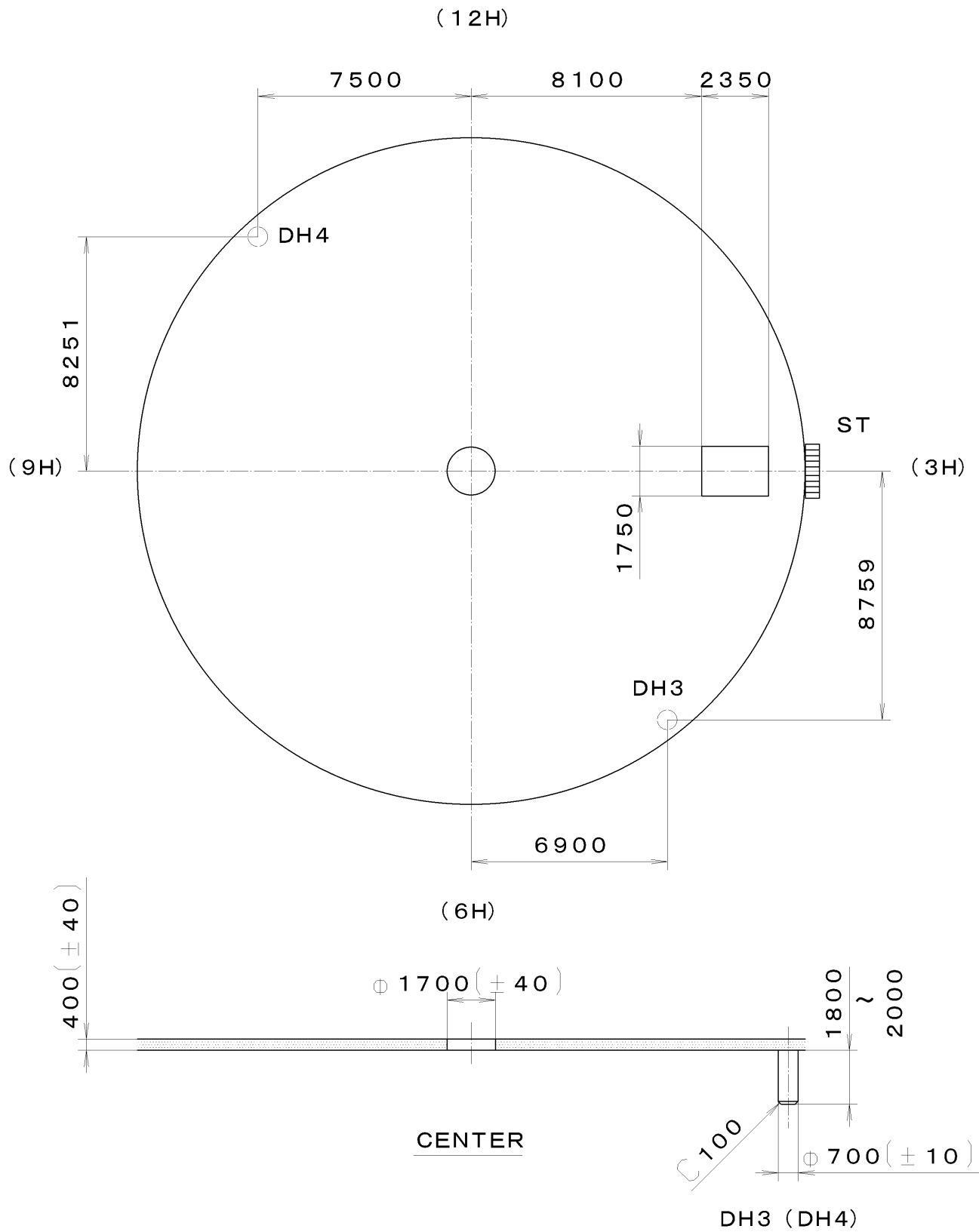


This drawing is provisional and subject to our reconfirmation and/or revision without notice.

*** T I P W GM10-00A (01) *** (2100 1121) 03-06-02



Material		Quantity		Cal. No. : GM10-00A	
Heat Treatment		Unit 1/1000 mm		Parts:	
Hardness		Scale 5:1			
Plating		Date		Name: Indiations for Dial	
		Drawn			
		Checked M. Fukuda		Drawing No. : GM10D000	
		Approved			
		General Tolerances		CITIZEN WATCH CO., LTD. TOKYO, JAPAN	
		Dimensions			
		Angles			