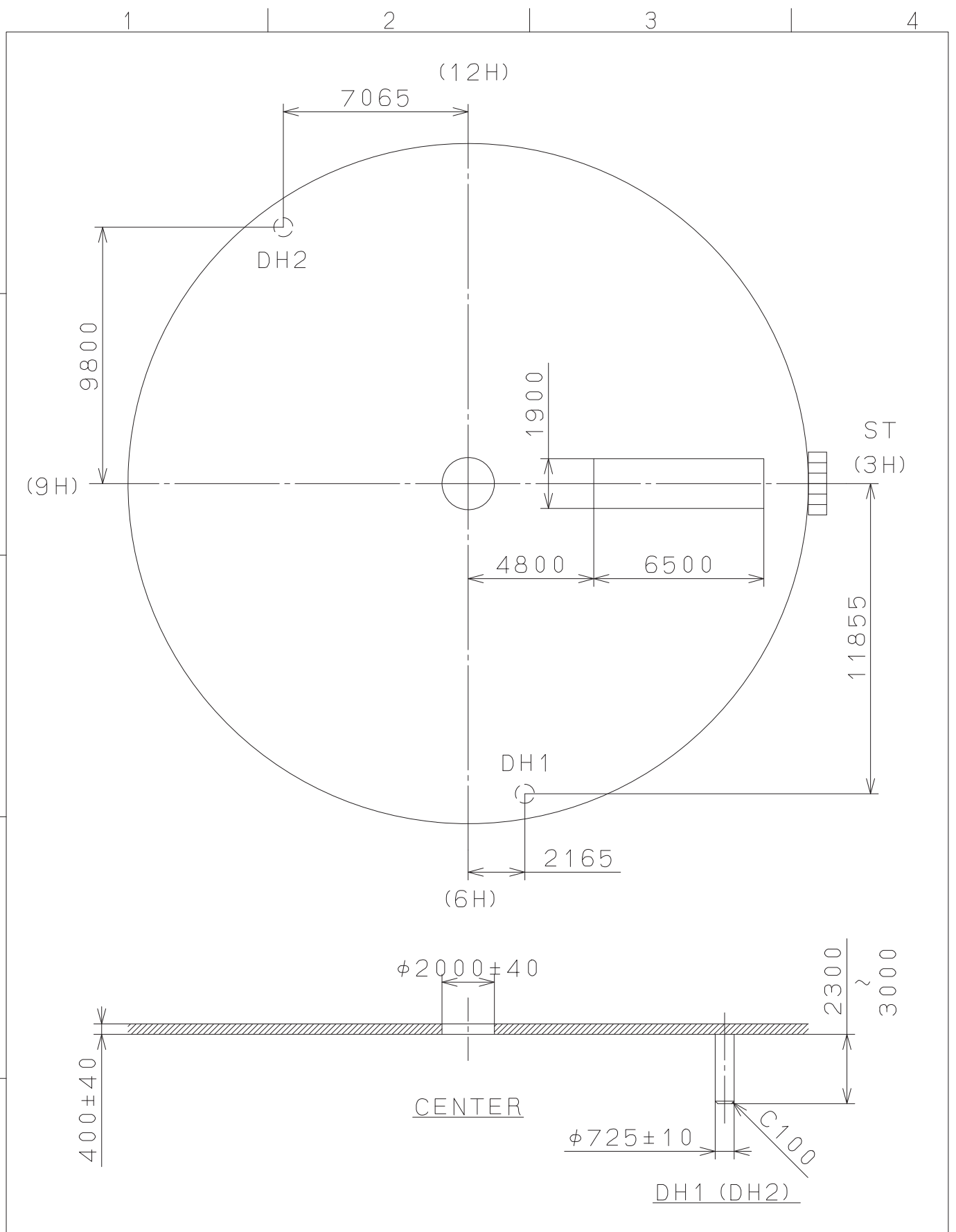


Quantity	Unit	1/1000 mm	Cal. NO.:	820A
Scale	Date	6 : 1	Parts No.:	
Drawn	Checked		Name:	E. Murakami
Approved	Frame for Case		Drawing No.:	820AC002
Material	Alterations			
Heat Treatment	General Tolerances			
Hardness	Dimensions			
Plating	Angles			

CONFIDENTIAL 2014/03/20 (13:45:51)

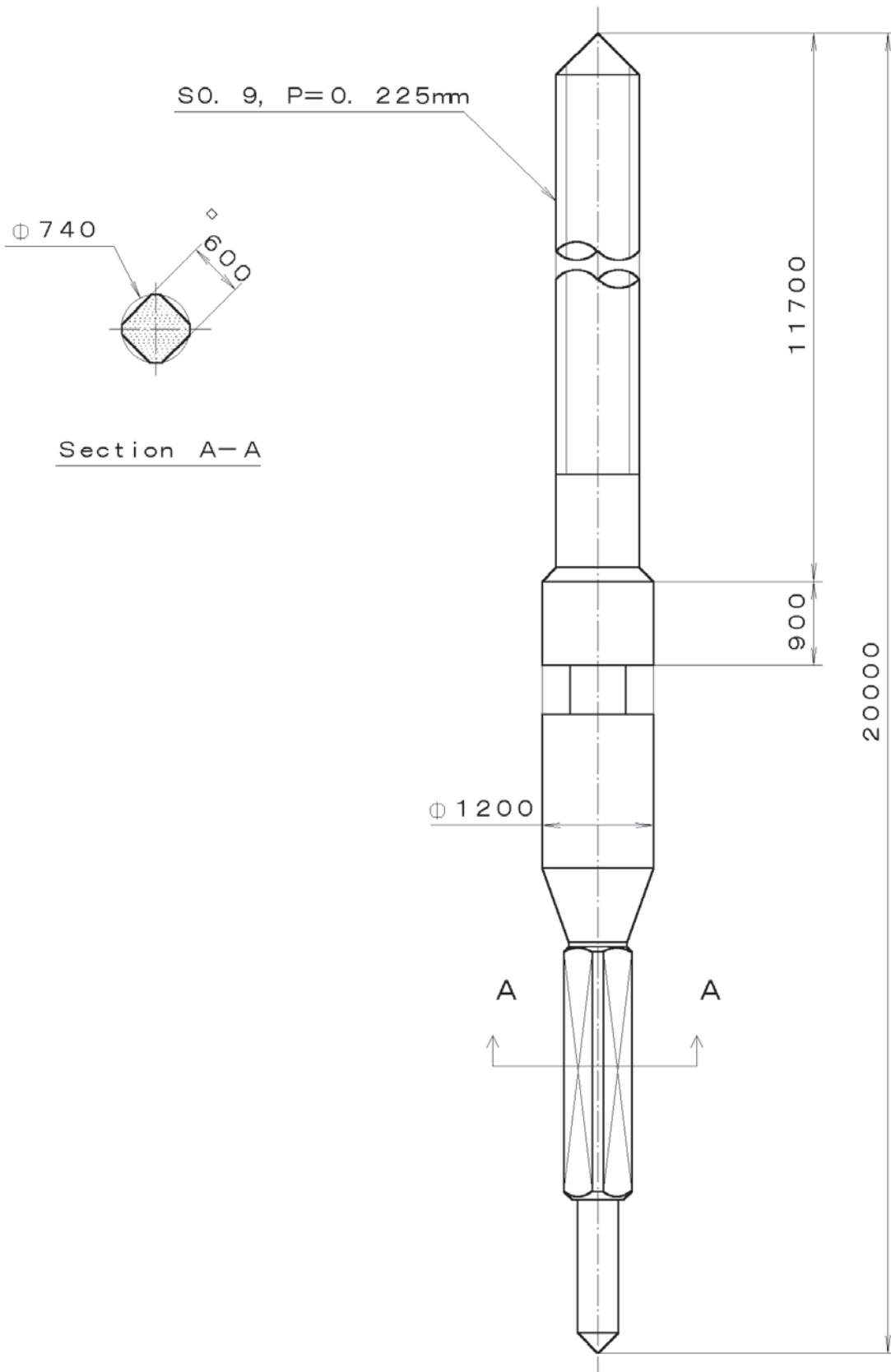
This drawing is provisional and subject to our reconfirmation and/or revision without notice.



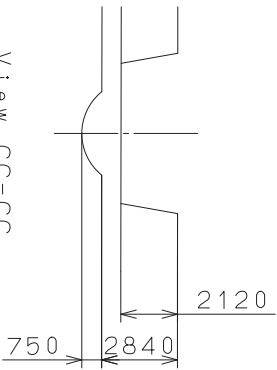
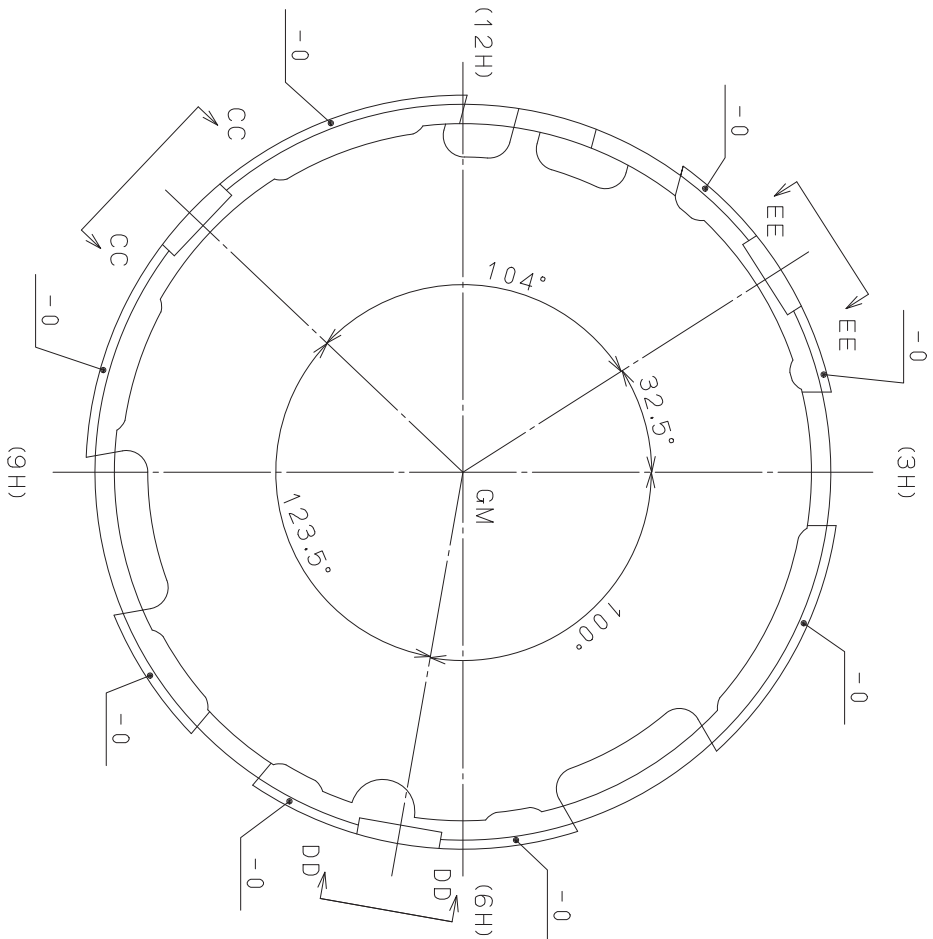
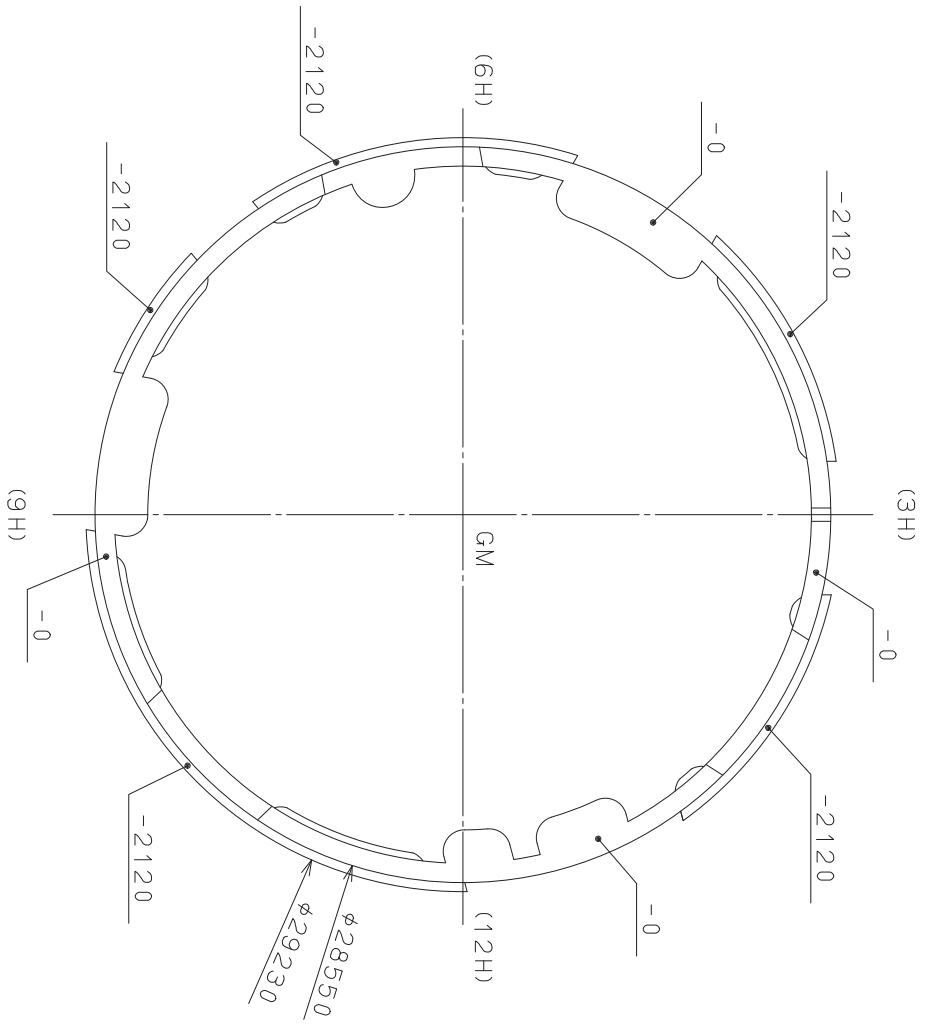
△E			Quantity		Cal. NO.:	
△A			Unit	1 / 1000 mm		820A-21C
△3			Scale	5 : 1	Parts No.:	
△2			Date			
△1			Drawn			
Mark	Date	Description	Appr.	Checked	E. Murakami	Name:
Alterations			Approved			Indications for Dial
Material					Drawing No.: 820AD000	
Heat Treatment					MIYOTA CITIZEN WATCH CO., LTD. TOKYO, JAPAN	
Hardness						
Plating						

This drawing is provisional and subject to our reconfirmation and/or revision without notice.

065-212 (01) *** (2100 1121) 00-09-18



7		Quantity		Cal. No. :
6		Unit	1/1000 mm	
5		Scale	15:1	Parts:
4		Date		065-212
3		Drawn		Name:
2		Checked	T. Hiruta	SETTING STEM
1		Approved		Drawing No. : 2120S000
Material				MIYOTA
Heat Treatment		General Tolerances		
Hardness		Dimensions		
Plating		Angles		



View CC-CC
DD-DD, EE-EE

△	Quantity	1/1000 mm	Cal. No.:
△	Unit	5 : 1	Parts No.:
△	Scale	500-710	
△	Date		
△	Date		
△	Drawn		
Mark	Date	Appr.	Checked
Alterations	N. Suzuki		
Material	Casing Holder		
Heat Treatment	Drawing No.: 8200E002		
Hardness	General Tolerances		
Plating	Dimensions		
	Angles		
	CITIZEN WATCH CO., LTD. TOKYO, JAPAN		
	MIYOTA		